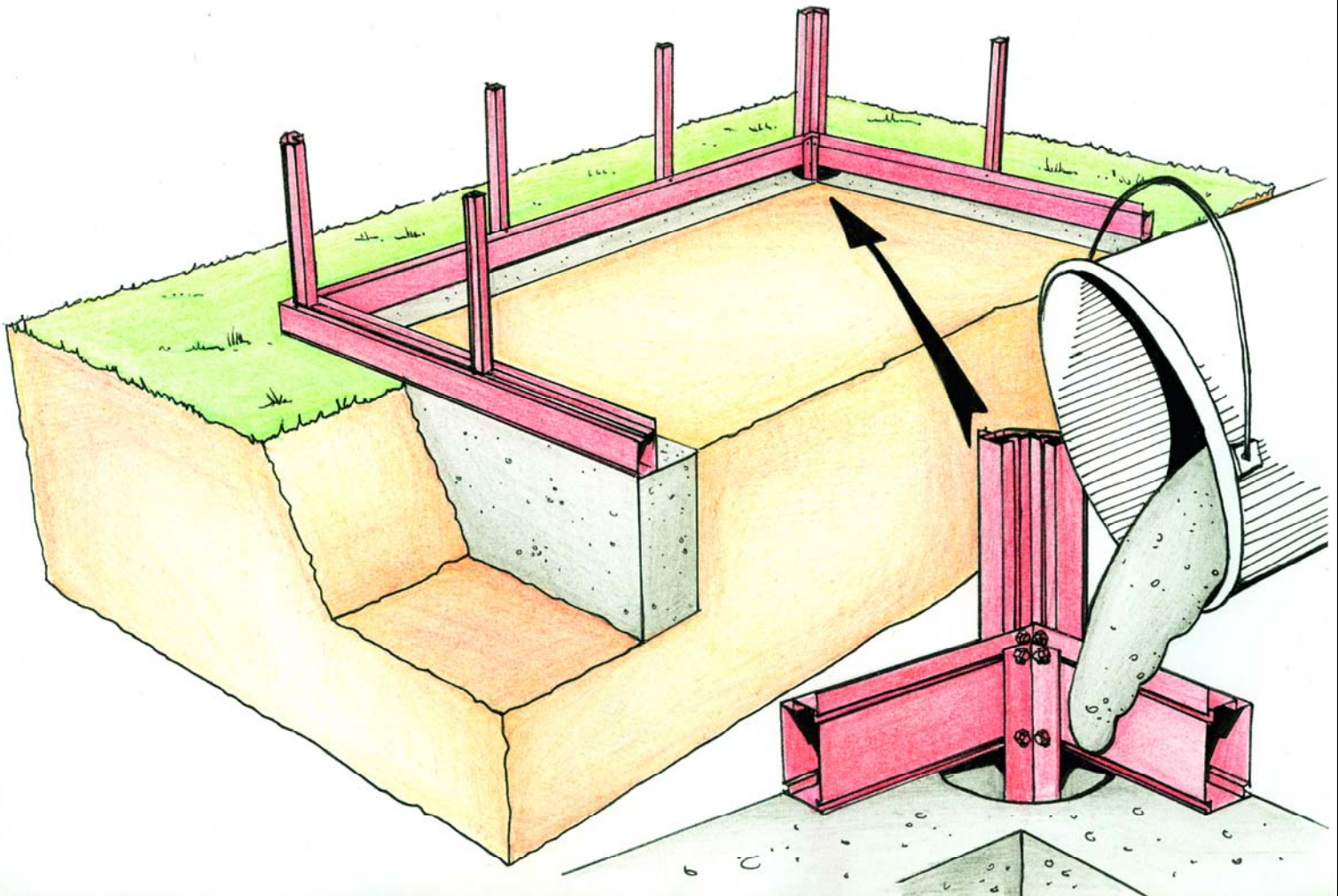
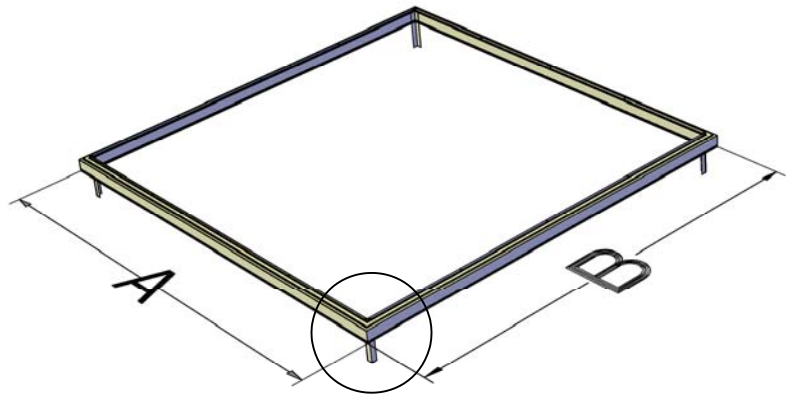
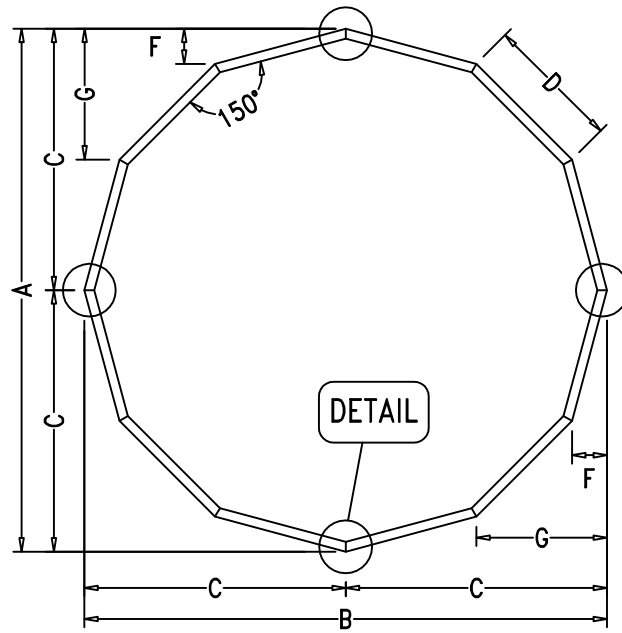
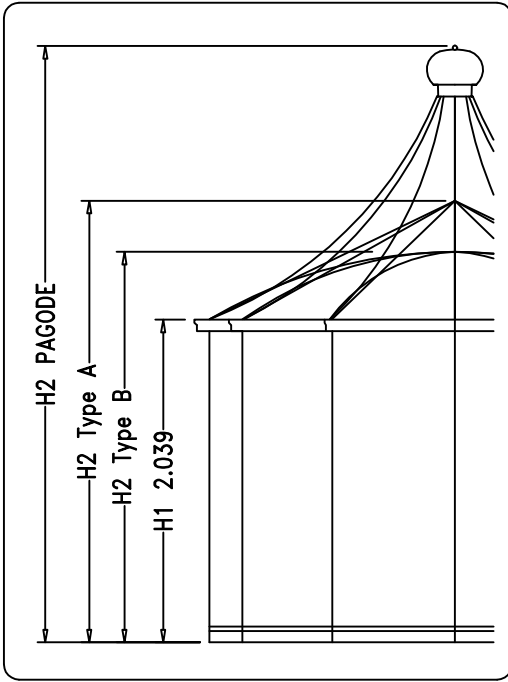


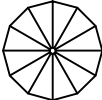
# " PYRAMIDE "

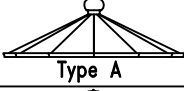
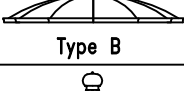
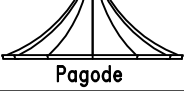
A	X	B
3.100mm		3.100mm
3.800mm		3.800mm

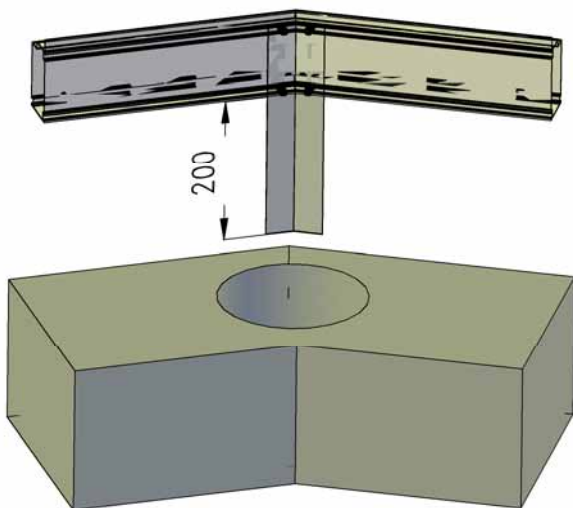
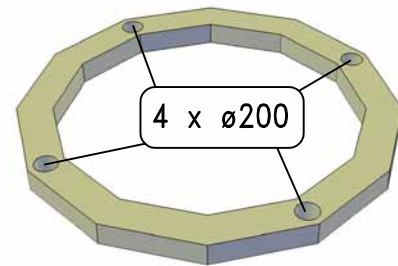


# Funderingsplan – Plan de Fondation – Fundamentenplan – Foundation drawing

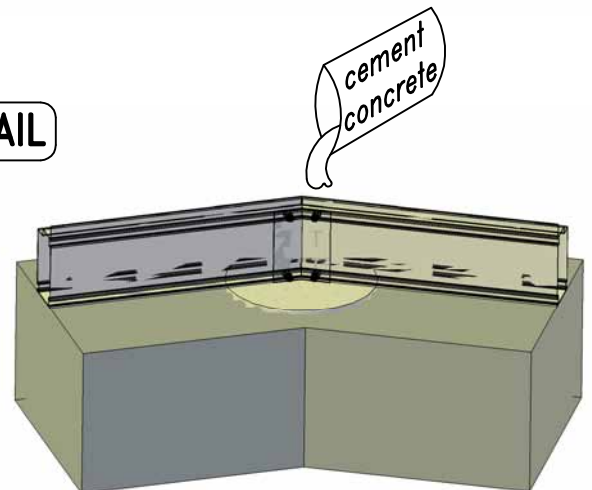


Model	ø3.100 (=A)	ø3.776 (=A)
Carrousel A	C = 1.542	C = 1.880
Carrousel B	D=802 (D=794)	D=977 (D=969)
Pagode	F = 205 G = 773	F = 253 G = 941
	B = 3.100 A = B	B = 3.776 A = B

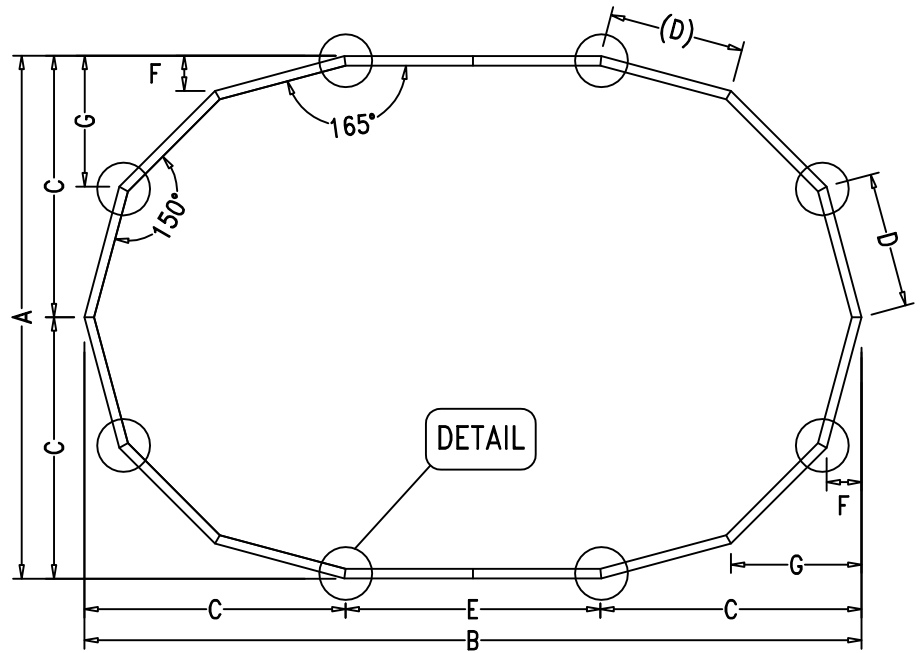
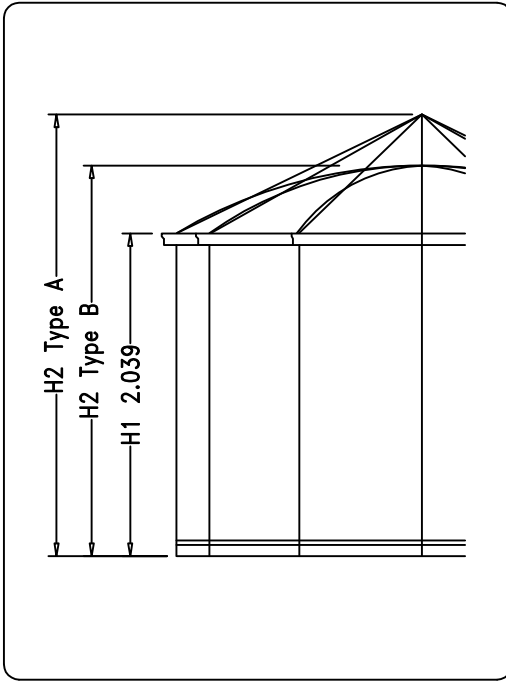
Model	DIA (A)	H1	H2 (max)
 Type A	3.100 3.776	2.039 2.039	3.070 3.110
 Type B	3.100 3.776	2.039 2.039	2.766 3.002
 Pagode	3.100 3.776	2.039 2.039	3.765 4.067

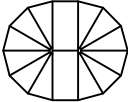
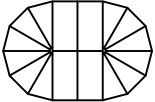
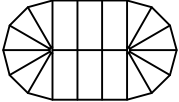
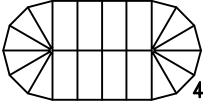


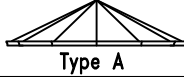
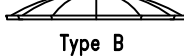
**DETAIL**

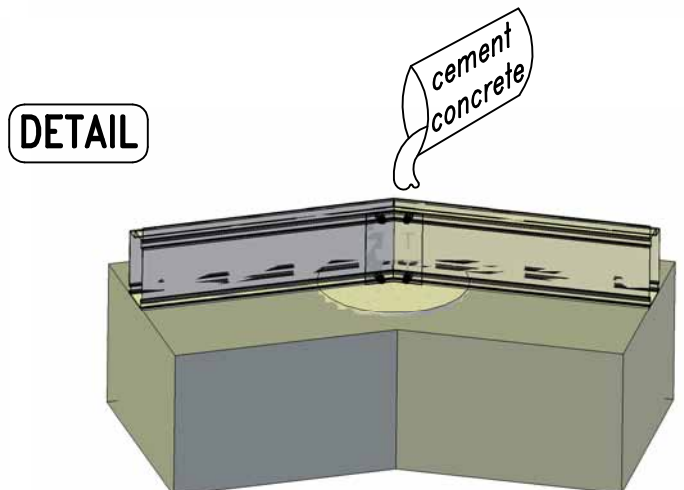
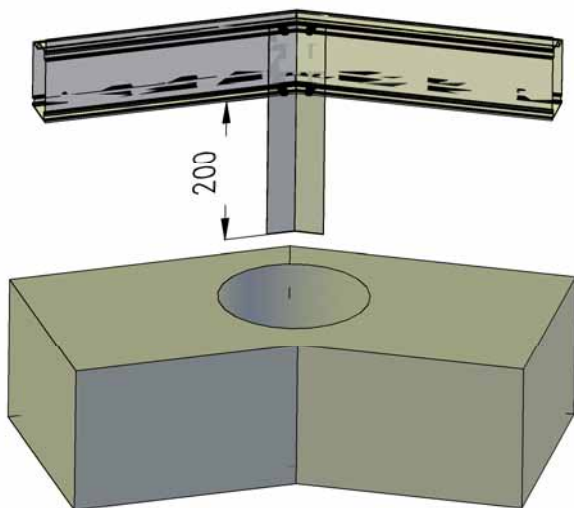
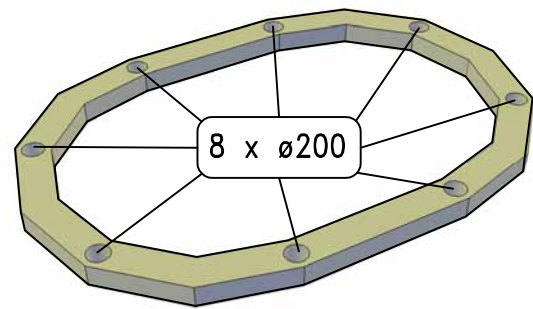


# Funderingsplan – Plan de Fondation – Fundamentenplan – Foundation drawing

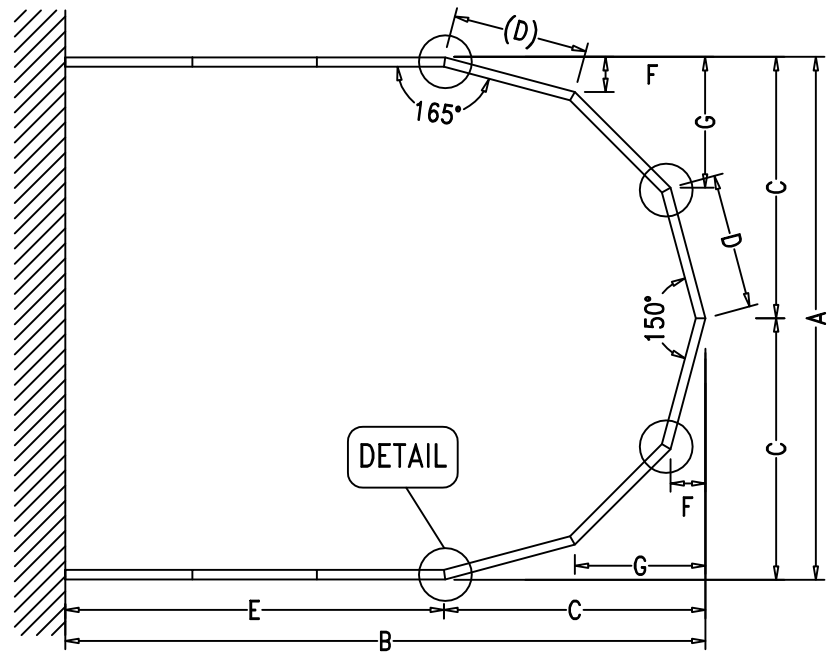
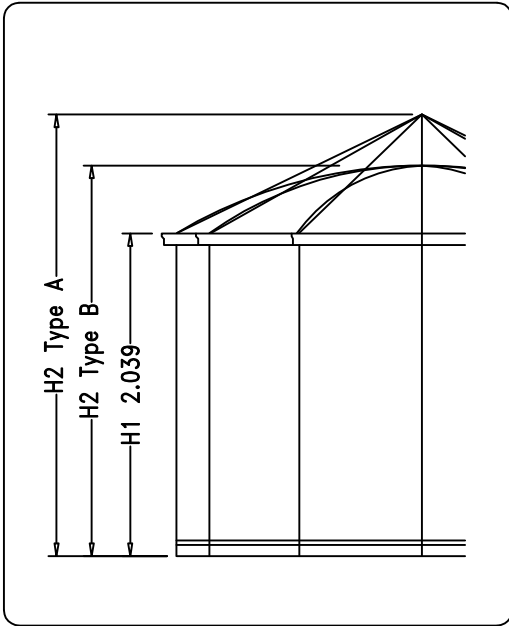


Model	ø3.100 (=A)	ø3.776 (=A)
Carrousel A	C = 1.542	C = 1.880
Carrousel B	D=802 (D=794)	D=977 (D=969)
	F = 205	F = 253
	G = 773	G = 941
 1xE	B = 3.871 E = 786	B = 4.547 E = 786
 2xE	B = 4.608 E = 1.524	B = 5.285 E = 1.524
 3xE	B = 5.346 E = 2.262	B = 6.023 E = 2.262
 4xE	B = 6.085 E = 3.000	B = 6.761 E = 3.000

Model	DIA (A)	H1	H2 (max)
 Type A	3.100 3.776	2.039 2.039	2.770 2.910
 Type B	3.100 3.776	2.039 2.039	2.466 2.702



# Funderingsplan – Plan de Fondation – Fundamentenplan – Foundation drawing



Model	ø3.100 (=A)	ø3.776 (=A)
Carrousel A Carrousel B	C = 1.542 D=802 (D=794) F = 205 G = 773	C = 1.880 D=977 (D=969) F = 253 G = 941
	B = 1.584 E = 42	B = 1.922 E = 42
1xE	B = 2.322 E = 780	B = 2.660 E = 780
2xE	B = 3.060 E = 1.518	B = 3.398 E = 1.518
3xE	B = 3.798 E = 2.256	B = 4.136 E = 2.256
4xE	B = 4.536 E = 2.994	B = 4.874 E = 2.994

Model	DIA (A)	H1	H2 (max)
Type A	3.100 3.776	2.039 2.039	2.770 2.910
Type B	3.100 3.776	2.039 2.039	2.466 2.702

